

DESIGN NOTES TAPER MEASUREMENT

To design the Anvil head for Taper measurement, the following information is required:

How to understand

ED : Entry diameter of the component.

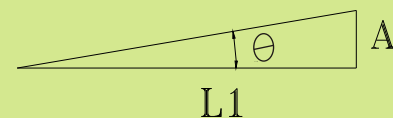
MD : Minor diameter of the component

L : Length of the component

LD : Length at datum point

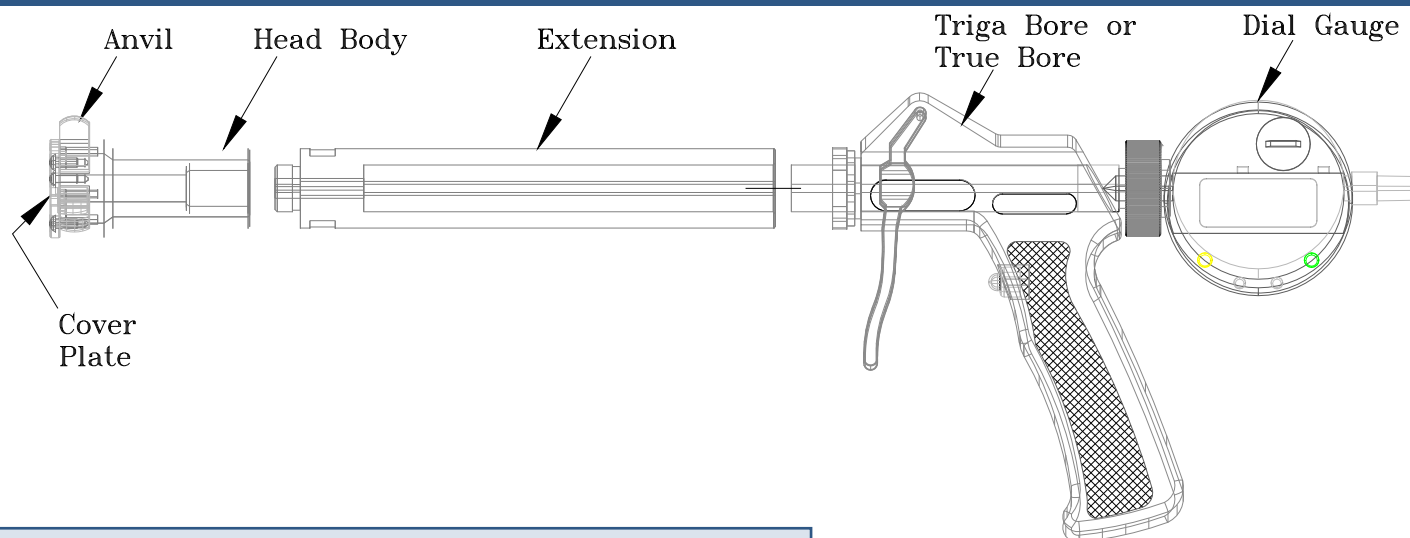
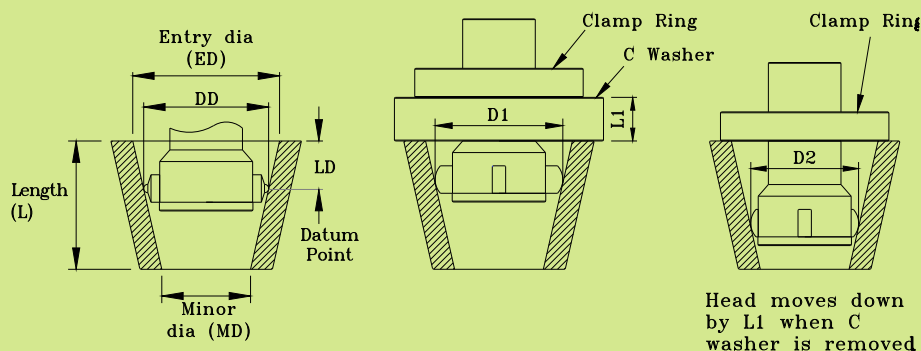
DD : Datum point diameter

Taper angle can be calculated as: $\tan(\theta) = (A/L1)$



here

$$A = (D1 - D2) / 2$$

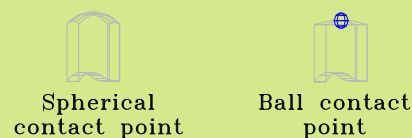


RECOMMENDATION : Three point system is recommended. Two point system also available as an option.

For standard measuring lengths : See Table

More than one extension can be used. For extension lengths available : See Table

CONTACT POINTS AVAILABLE



NOTE:- Ball contact is recommended for datum measurement (DD).

Please fill in the following information for Quotations:

Contact Name :
 Company :
 Country :
 E-mail :
 URL :
 Tel. No. :
 Fax No. :

Parameter	Size	
	mm	inch
ED		
MD		
L		
LD		
DD		