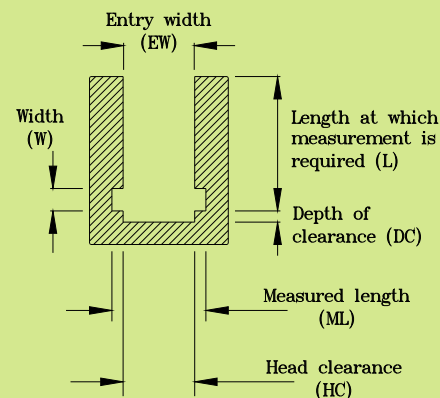


DESIGN NOTES SLOT MEASUREMENT

To design the Anvil head for Slot measurement, the following information is required:

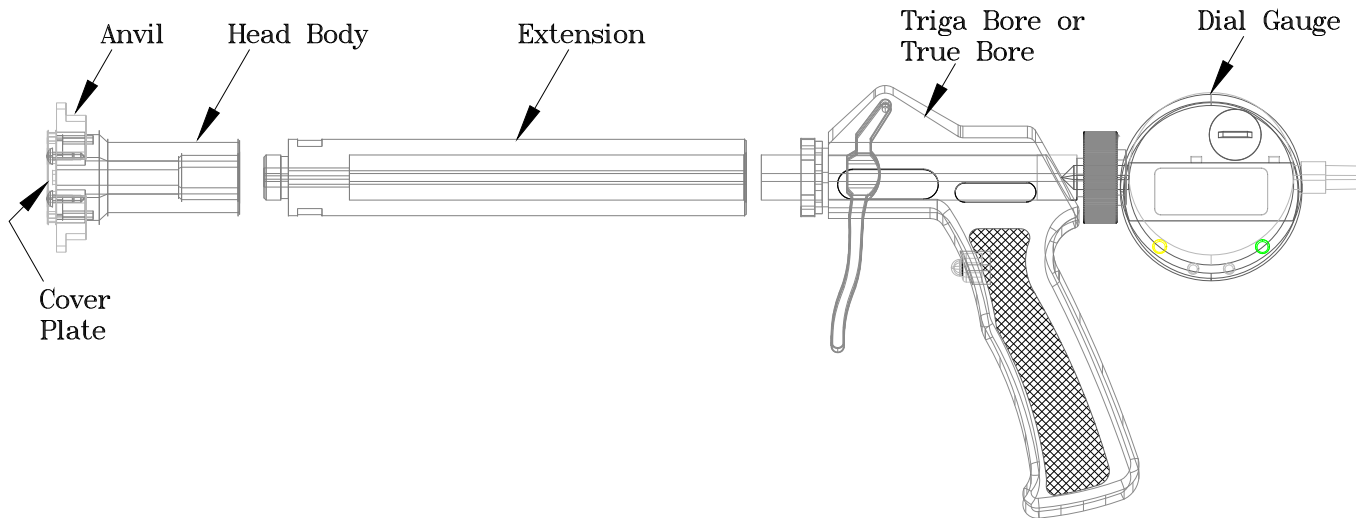
How to understand

- ML** : Length of Slot to be measured
- EW** : Smallest width through which the given head has to pass
- W** : Width of Slot
- L** : Length at which measurement is req. (Add extension if required)
- DC** : Depth of clearance for Cover plate
- HC** : Head clearance (If there is no Bottom or Head clearance, extra special Anvil Design can be provided)



APPLICATION LIMITATION:

EW - ML ≤ HEAD RANGE : SEE TABLE



RECOMMENDATION : Three point system is recommended. Two point system also available as an option.

For standard measuring lengths : See Table

More than one extension can be used. For extension lengths available : See Table

Type of Slot

A	B	C
Plain Slot	Recess Slot	Special shape Slot (Profile dwg. required)

Please fill in the following information for Quotations:

Contact Name :
Company :
Country :
E-mail :
URL :
Tel. No. :
Fax No. :

Parameter	Size		Type of Slot (A/B/C)
	mm	inch	
ML			
EW			
W			
L			
DC			
HC			